



**THE CORPORATION OF THE
TOWN OF MIDLAND**

575 Dominion Avenue
Midland, ON L4R 1R2
Phone: 705-526-4275
Fax: 705-526-9971
www.midland.ca

**NOTICE OF PUBLIC HEARING
COMMITTEE OF ADJUSTMENT
Minor Variance Application A.19/2018
409 Manly Street**

TAKE NOTICE that an application to the Committee of Adjustment has been submitted for a minor variance to Zoning By-law 2004-90, as amended, pursuant to Section 45 of the *Planning Act*, c.P.13, R.S.O. 1990 as amended for lands known municipally as **409 Manly Street** and legally described as Part Lot 6 on Registered Plan 504 more particularly described as Part 1 of Reference Plan 51R13012 located in the Town of Midland. The property is designated Residential District in the Official Plan and zoned R3 in Zoning By-law 2004-90, as amended.

THE PURPOSE OF THE APPLICATION is for a Variance to increase the Lot Coverage for an Accessory Building from 5% to 6.9% and to increase the building height of an Accessory Building from 4.0 metres to 5.0 metres to permit the construction of a detached garage. A location map and application sketch is provided on the back of this Notice.

The Committee of Adjustment will hold a Public Hearing on **Thursday, September 13, 2018 at 4:30 p.m.** or as soon thereafter as practical in the Council Chambers of the Municipal Building, 575 Dominion Avenue, Midland to consider this application.

There are no associated files/applications.

This is a Public Hearing and persons wishing to support or oppose this application are permitted to attend, or if unable to attend, may submit comments in writing to the Secretary-Treasurer of the Committee or via e-mail to planning@midland.ca, indicating the application number and address of the property, prior to the date and time of the Hearing.

AND FURTHER TAKE NOTICE that pursuant to Section 44(10) of the *Planning Act*, the Application file is part of the public record and is available to the public for inspection. If you are submitting letters, faxes, emails, presentations or other communications with the Town concerning this application, you should be aware that your name and the fact you communicated with the Town will become part of the public record. The Town will also make your communication and any personal information in it available to the public, unless you expressly request the Town to remove it.

A copy of the decision of the Committee of Adjustment will be sent to the applicant and to each person who appeared in person or by counsel at the hearing and who filed with the Secretary-Treasurer a written request for a copy of the Notice of Decision.

For more information about this matter, contact the Planning and Building Services Department at the Municipal Office, 575 Dominion Avenue, during regular business hours.

It is requested that this Notice of Public Hearing be posted in a location visible to all residents if there are seven (7) or more residential units at this location.

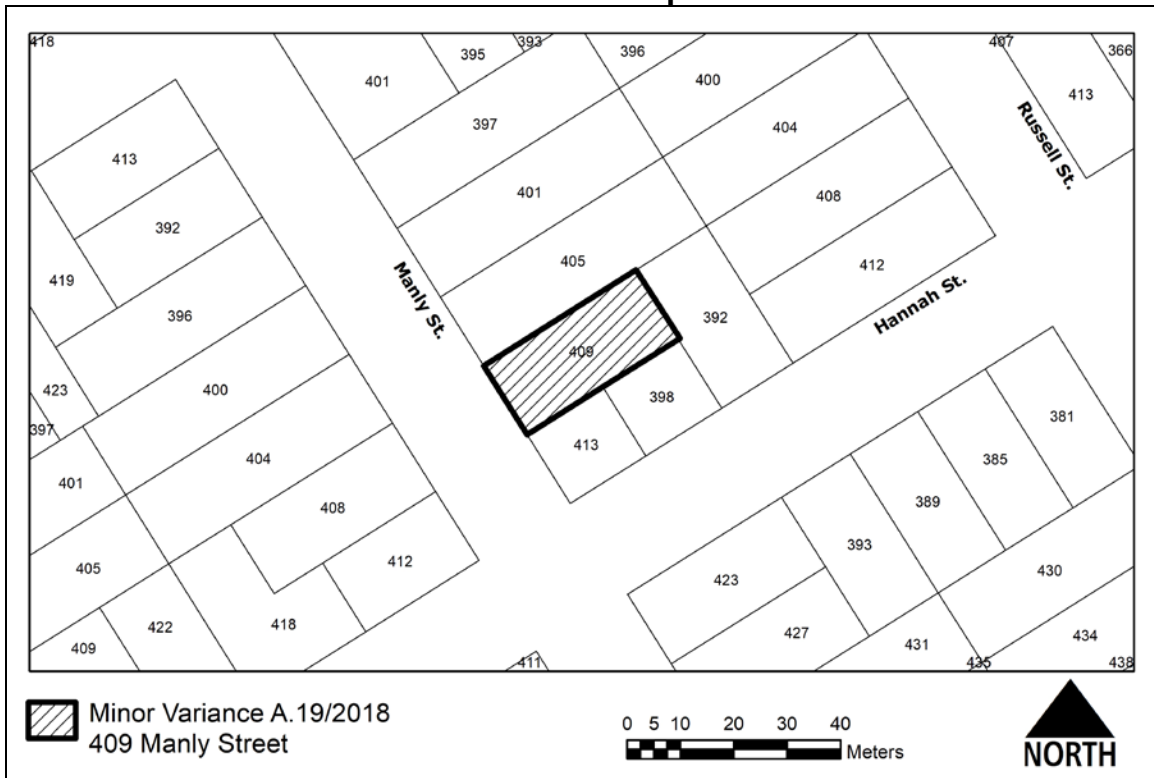
Wesley Crown, MCIP, RPP
Secretary-Treasurer, Midland Committee of Adjustment

Dated this 29th day of August, 2018.

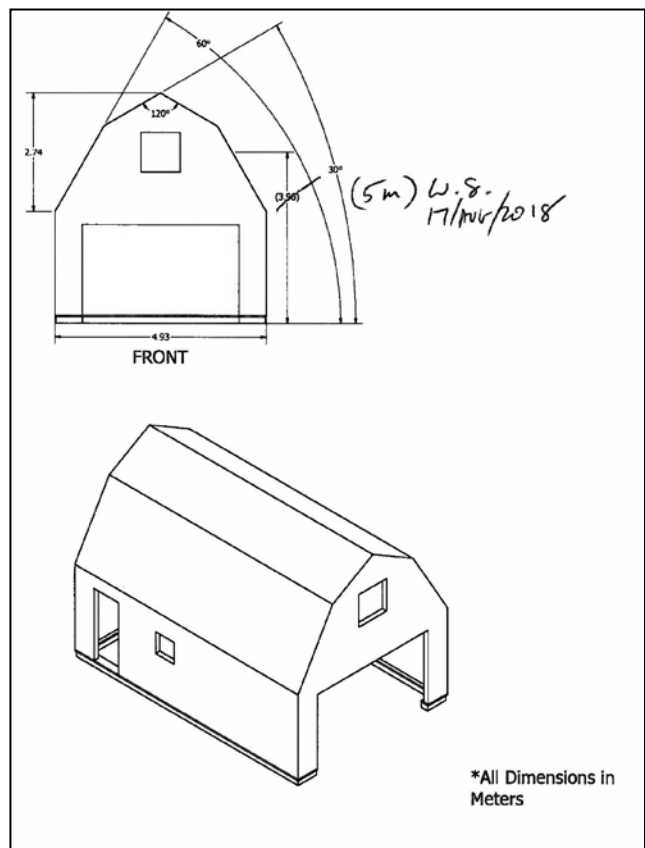
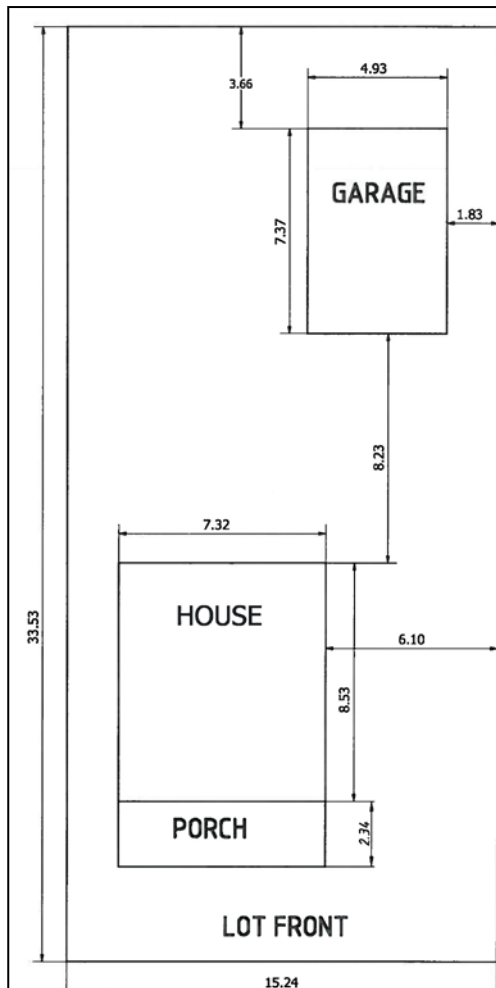
Please see the opposite side of this Notice for more information

Minor Variance Application No. A.19/2018

Location Map



Applicant Sketch



Please see the opposite side of this Notice for more information