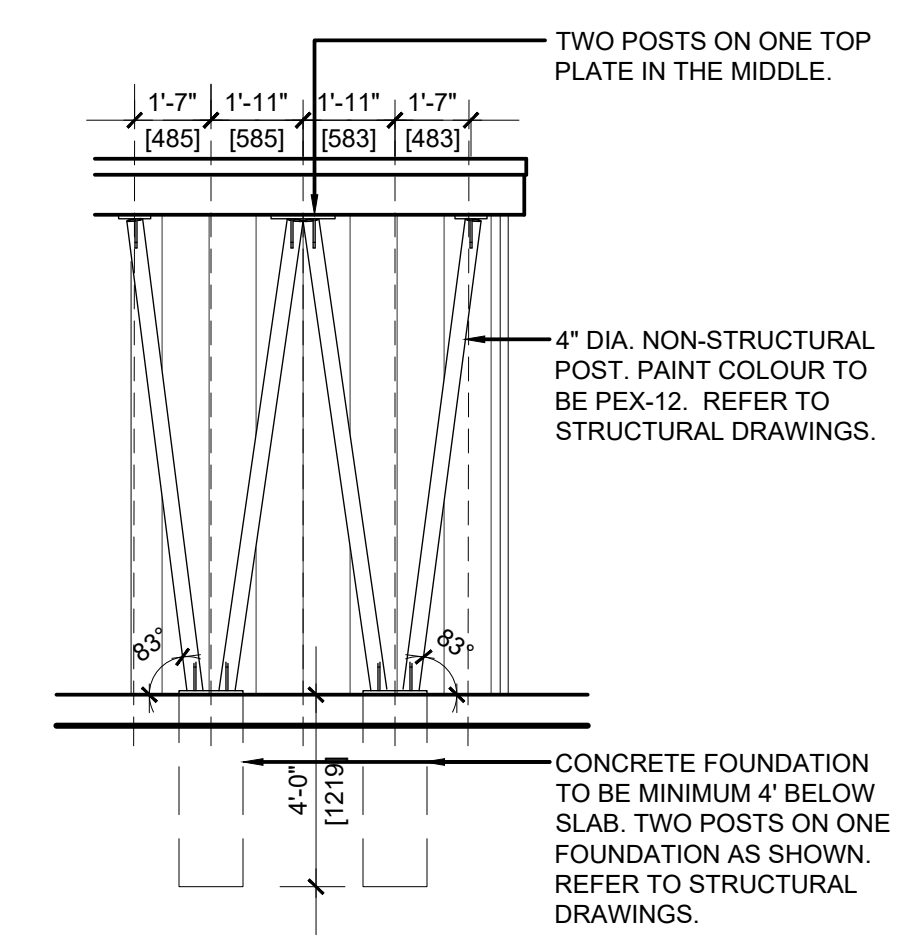
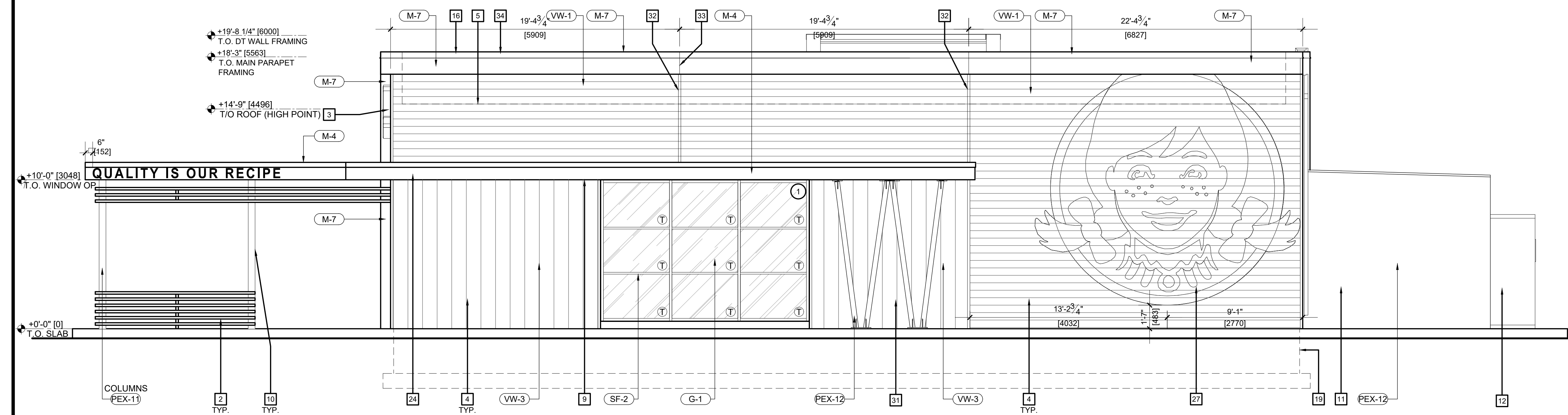


FRONT ELEVATION  
1/4" = 1'-0" 1



"W" COLUMN DETAIL  
1/4" = 1'-0" 3



RIGHT SIDE ELEVATION  
1/4" = 1'-0" 2

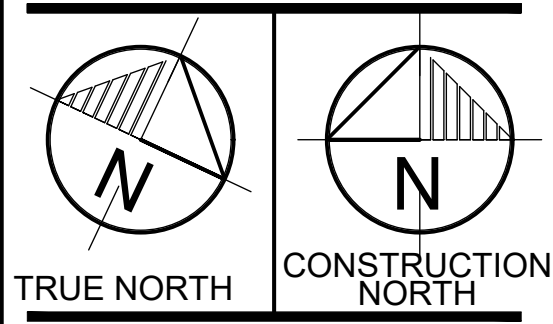
EXTERIOR FINISHES SCHEDULE

SF-2	STOREFRONT - "BLACK"
PUW	PICK-UP WINDOW TO MATCH STOREFRONT
M-1	PARAPET CAP / BRAKE METAL - "DARK BRONZE"
M-3	EXCEPTIONAL METALS - "BRIGHT RED"
M-4	EXCEPTIONAL METALS - "SILVER METALLIC"
M-5	BRAKE METALS - "CLEAR ANODIZED"
M-7	EXCEPTIONAL METALS - "CUSTOM DARK GREY"
VW-1	VICWEST PREFINISHED METAL SIDING - "DARK CEDAR"
VW-2	VICWEST PREFINISHED METAL SIDING - "DARK RED"
VW-3	VICWEST PREFINISHED METAL SIDING - "DARK RED"
VW-4	VICWEST PREFINISHED METAL SIDING - UNDERSIDE SOFFIT "SILVER"
BL-1	BOLLARD SLEEVE - "YELLOW"
PEX-1	PAINT - DARK BRONZE (SEE PAINT SCHEDULE)
PEX-10	PAINT / POWDER COAT - BLACK (SEE PAINT SCHEDULE)
PEX-11	PAINT - TAN (SEE PAINT SCHEDULE)
PEX-12	PAINT - "SW 7674 PEPPERCORN"
PEX-13	PAINT - "SW 6103 KILIM BEIGE"
PEX-14	PAINT - "SW 6090 JAVA"
G-1	1" INSULATED GLASS
G-5	1" INSULATED FROSTED GLASS

CODED NOTES:

- WALL MOUNTED LIGHT FIXTURE. TYP. REFER TO ELECTRICAL DRAWINGS. LIGHT FIXTURE MOUNTED TO RECESSED JUNCTION BOX.
- 2" 16" GAUGE ALUMINUM TUBING. PAINT COLOUR TO BE PEX-14. SUPPLY AND INSTALL BY G.C.
- WENDY'S ILLUMINATED SIGNAGE (WHITE LETTERS) TO BE PROVIDED AND INSTALLED BY SIGNAGE SUPPLIER. G.C. TO PROVIDE WOOD BLOCKING. FINAL ELEC. CONNECTION AND PLATFORM SERVING TRANSFORMER. CONFIRM SIGNAGE SIZES, STYLE, MOUNTING HEIGHT AND LOCATION W/ APPROVED SIGNAGE DWGS.
- EXTERIOR VICWEST WALL FINISH. REFER TO FINISHES SCHEDULE.
- DASHED LINE INDICATES ROOF LINE.
- ROOF TOP UNITS. REFER TO ROOF PLAN AND MECHANICAL DRAWINGS.
- ROOF LADDER W/ SAFETY GATE. COLOUR TO BE PEX-12. REFER TO DETAIL ON SHEET A4.3.
- 6" DIA. CONCRETE FILLED METAL PIPE BOLLARD W/ BOLLARD SLEEVE.
- NEW OVERHANG CANOPY. REFER TO DETAILS AND STRUCTURAL DRAWINGS.
- PAINT COLUMNS PEX-11 (PATIO ONLY).
- PRE-FINISHED WALK IN COOLER/ FREEZER. PREFINISH COLOUR TO BE PEX-12
- USED COOKING OIL AND CO2 ENCLOSURE. PRE-FINISHED PEX-12. REFER TO MECHANICAL DRAWINGS.
- NOT USED.
- REMOVE SUCTION FOR GREASE INTERCEPTOR C/W LOCKABLE DUST CAP.
- NON-ILLUMINATED SIGNAGE. SUPPLY AND INSTALL BY SIGN COMPANY.
- PREFINISHED METAL PARAPET CAP W/ DRIP EDGE (BEYOND). ENSURE METAL FLASHING OVER LAP 6" MIN. ON EXTERIOR FINISHES.
- DRIVE-THRU PICK UP WINDOW. REFER TO WINDOW SCHEDULE ON SHEET A6.3.
- DOOR HARDWARE TO BE INCLUDED WITH WALK-IN COOLER/FREEZER BOX. REFER TO DOOR SCHEDULE ON SHEET A6.3.
- N/A.
- DOOR HARDWARE, FRAME AND DOOR TO BE SUPPLIED & INSTALLED BY G.C. REFER TO DOOR SCHEDULE ON SHEET A6.3.
- BARRIER FREE POWER DOOR OPERATORS. MOUNTING HEIGHT OF 3'-0" MIN. TO 3'-6" MAX. A.F.F. CENTERLINE.
- 6" FLUSH PIN MOUNTED NON-ILLUMINATED LETTER. COLOUR TO BE DARK GRAY METALLIC. SUPPLY AND INSTALL BY SIGN COMPANY.
- HOSE BIB AND ENCLOSURE. REFER TO PLUMBING DRAWINGS.
- 8" FLUSH PIN MOUNTED NON-ILLUMINATED LETTER. COLOUR TO BE GRAY METALLIC. SUPPLY AND INSTALL BY SIGN COMPANY.
- GRAY METAL FLASHING AT THIS LOCATION.
- OVERFLOW SCUPPER. REFER TO DETAIL 12/A4.3.
- 3M VINYL APPLICATION WENDY'S GRAPHIC. SUPPLY AND INSTALL BY SIGN COMPANY.
- RED METAL FLASHING AT THIS LOCATION AND AROUND.
- G.C. TO CONTINUE RED FLASHING AROUND COLUMNS AT DRIVE-THRU.
- FLUSH MOUNTED SPEAKER. CENTER ON DOOR. REFER TO ELECTRICAL DRAWINGS.
- NEW 4" DIA. STEEL COLUMNS FORMING "W". PAINT COLOUR TO BE PEX-12. THIS IS A NON-STRUCTURAL POST.
- VICWEST FINISH REVEAL. TYP.
- BRAKE METAL FINISH SEAMS.
- LED TAPE LIGHTING IN CORNICE. REFER TO ELECTRICAL DRAWINGS.

SITE NUMBER: 6163  
 BASE MODEL: GLOBAL DESIGN 40+  
 ASSET TYPE: FRANCHISE  
 CLASSIFICATION: NEW  
 OWNER: FRANCHISE  
 BASE VERSION: 2021  
 UPGRADE CLASSIFICATION: FRANCHISE NEW BUILD  
 FURNITURE PACKAGE: (2.0) UM BRIGHT  
 DRAWING RELEASE: FALL 2021



PAUL ARCHITECT INC.  
 TORONTO & VANCOUVER  
 2660 Sherwood Heights Dr. Suite 200, Oakville, Ontario, L6J 7Y8  
 www.paularchitect.com  
 (905) 337-9800 fax (905) 337-1986

PROJECT TYPE: GLOBAL DESIGN 40+



DO NOT SCALE THE DRAWINGS.  
 THE CONTRACTOR WILL CHECK AND VERIFY DIMENSIONS AND REPORT ERRORS AND OMISSIONS TO THE CONSULTANT.  
 THIS DRAWING WILL NOT BE USED FOR CONSTRUCTION PURPOSES UNTIL ISSUED FOR CONSTRUCTION BY THE CONSULTANT.

REV.	DATE	DESCRIPTION
1	02-01-2022	ISSUED FOR WENDY'S

ISSUE DATE: 02/01/2022  
 PROJECT NUMBER: 2111134  
 DRAWN BY: ML  
 CHECKED BY: AV



SHEET NAME  
 EXTERIOR ELEVATIONS

SHEET NUMBER

A2.1