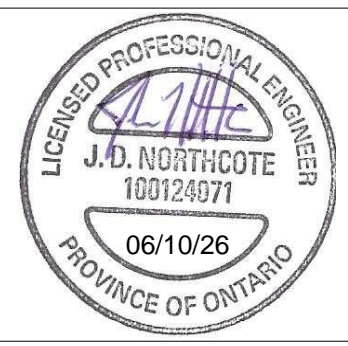


GENERAL NOTES
 1. THIS DRAWING IS NOT INTENDED FOR CONSTRUCTION.
 2. DO NOT SCALE DRAWINGS.
 3. THE DRAWINGS ARE THE PROPERTY OF JD ENGINEERING AND MUST BE RETURNED ON COMPLETION OF THE PROJECT.
 4. BASE DRAWINGS PROVIDED BY ORCHARD DESIGN STUDIO INC. ON JUNE 8, 2026.

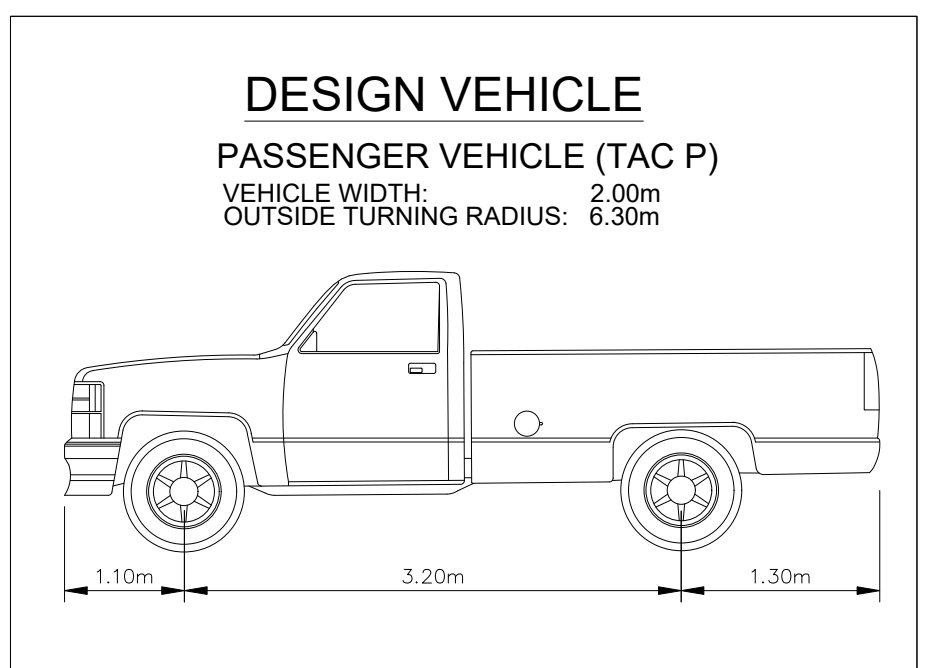
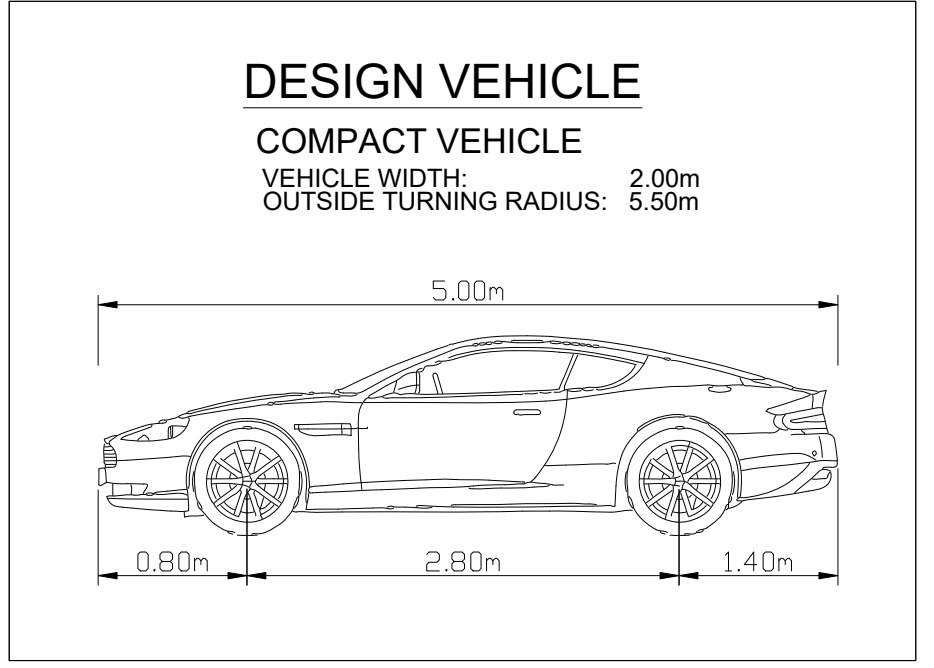
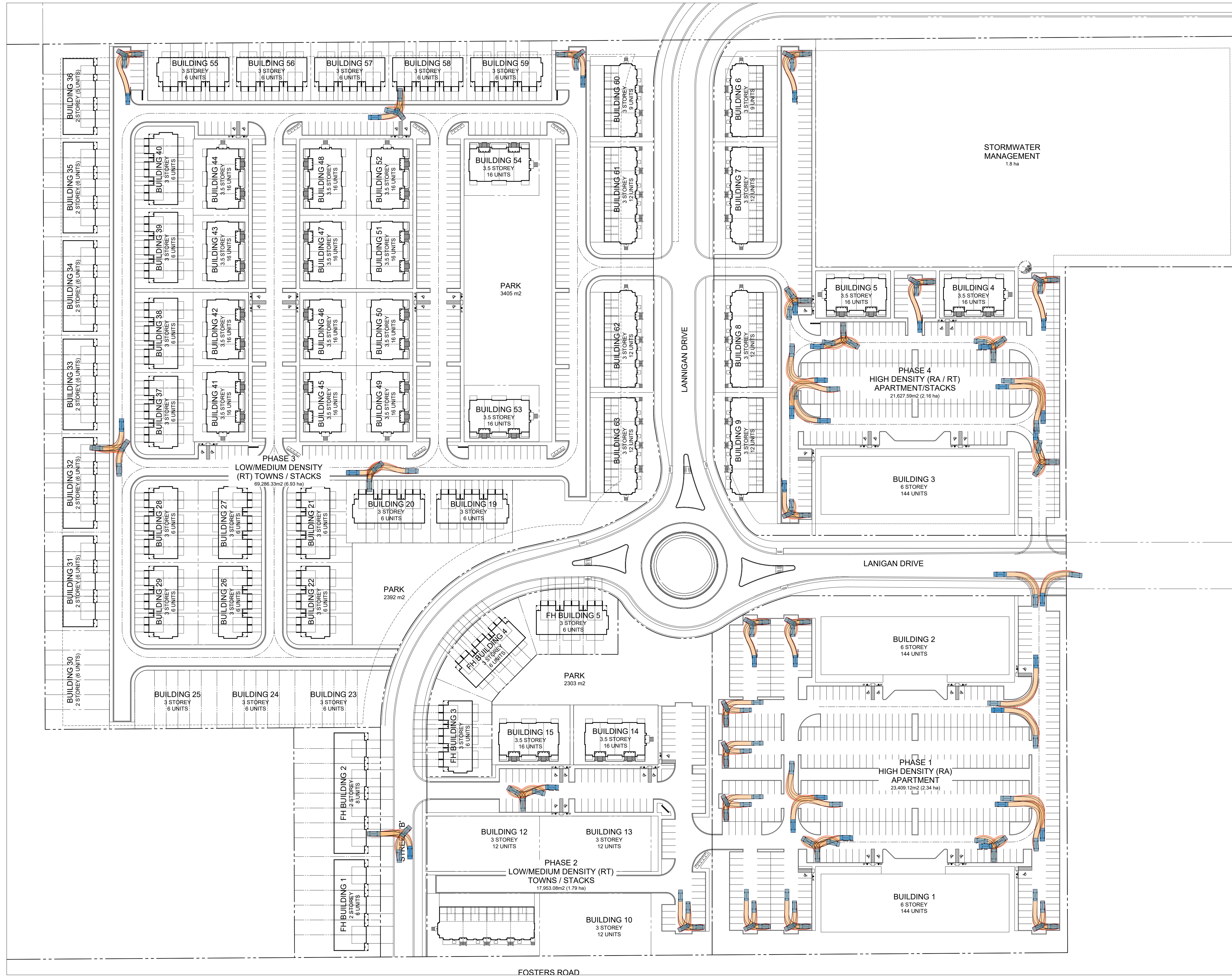
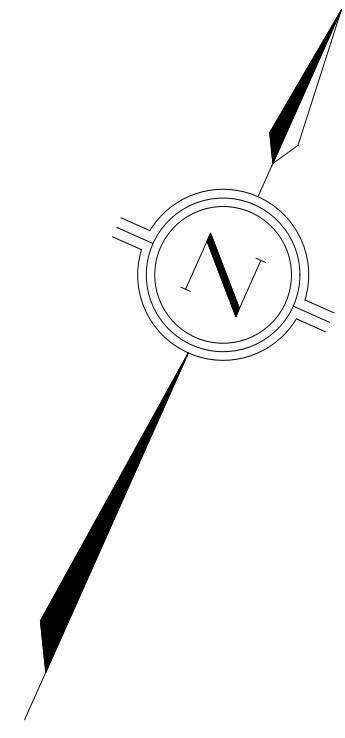
NO.	DATE	APPROVED	REVISIONS
1.	JUN 2026	JN	FIRST SUBMISSION

JD Northcote Engineering Inc.
 Phone: 705.725.4035
 86 Cumberland Street
 Barrie, ON L4N 2P6
 www.JDEngineering.ca



PROJECT
9332 COUNTY ROAD 93
 AREA MUNICIPALITY
TOWNSHIP OF MIDLAND - COUNTY OF SIMCOE
 CLIENT
PINE VALLEY ESTATES LTD.

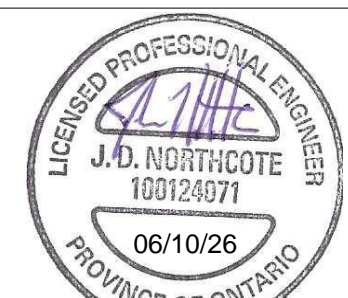
DRAWING TITLE		DESIGN:	DATE:
VEHICLE SWEEP PATH REVIEW		RH	06/26
SUBTITLE		DRAWN:	DATE:
PASSENGER VEHICLE (TAC P)		RH	06/26
		REVIEWED:	DATE:
		JN	06/26
		SCALE HOR.	SCALE VERT.
		1:750	N/A
		SHEET NO.	
		25076 - TURN A	



GENERAL NOTES
 1. THIS DRAWING IS NOT INTENDED FOR CONSTRUCTION.
 2. DO NOT SCALE DRAWINGS.
 3. THE DRAWINGS ARE THE PROPERTY OF JD ENGINEERING AND MUST BE RETURNED ON COMPLETION OF THE PROJECT.
 4. BASE DRAWINGS PROVIDED BY ORCHARD DESIGN STUDIO INC. ON JUNE 8, 2026.

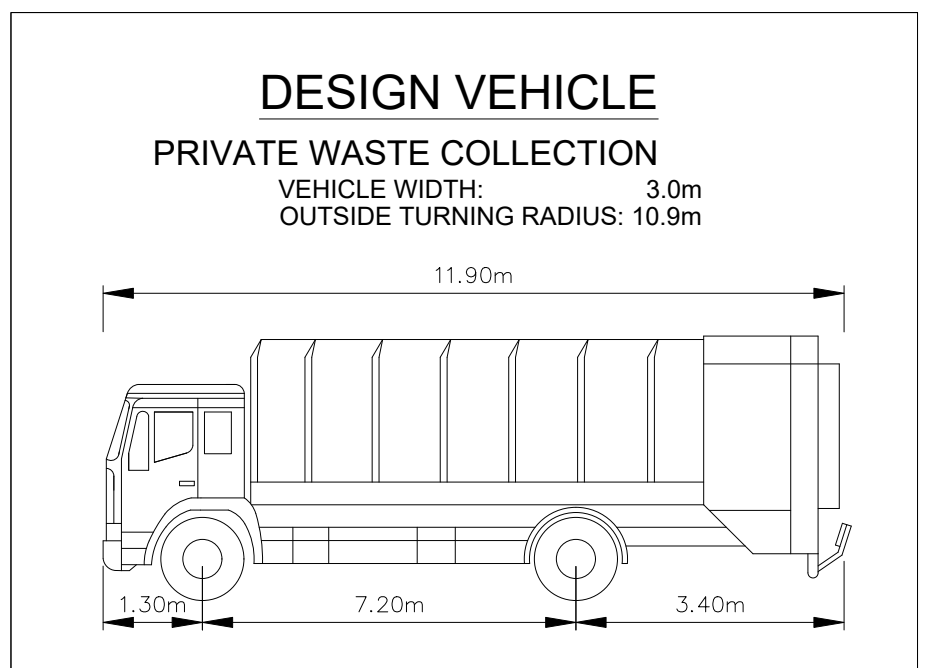
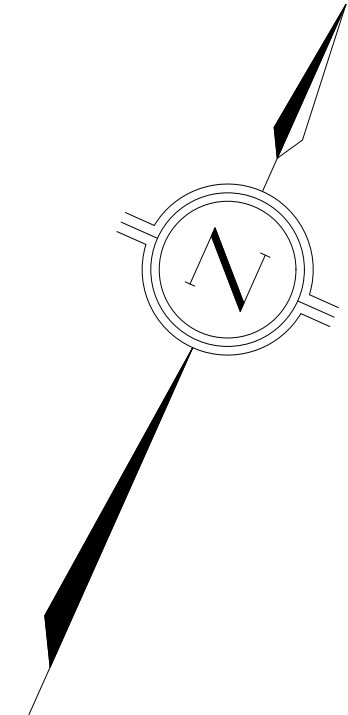
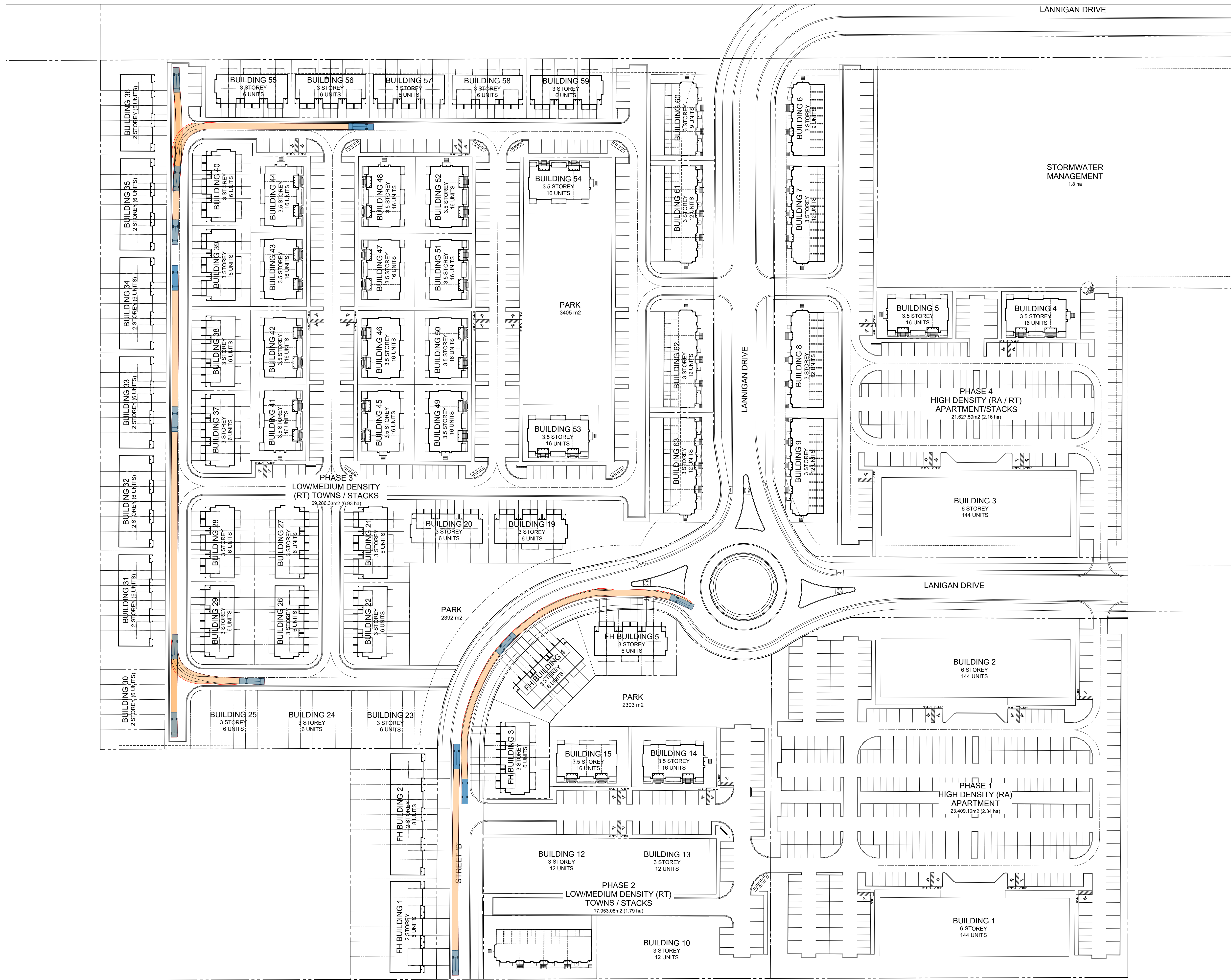
NO.	DATE	APPROVED	REVISIONS
1.	JUN 2026	JN	FIRST SUBMISSION

JD Northcote Engineering Inc.
 Phone: 705.725.4035
 86 Cumberland Street
 Barrie, ON L4N 2P6
 www.JDEngineering.ca



PROJECT
9332 COUNTY ROAD 93
 AREA MUNICIPALITY
TOWNSHIP OF MIDLAND - COUNTY OF SIMCOE
 CLIENT
PINE VALLEY ESTATES LTD.

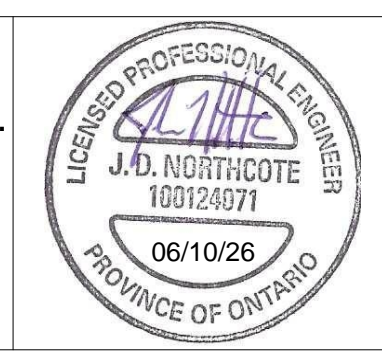
DRAWING TITLE
VEHICLE SWEEP PATH REVIEW
 SUBTITLE
**PASSENGER VEHICLE (TAC P)
 COMPACT VEHICLE**
 DESIGN: RH DATE: 06/26
 DRAWN: RH DATE: 06/26
 REVIEWED: JN DATE: 06/26
 SCALE HOR. SCALE VERT.
 1:750 N/A
 SHEET NO.
25076 - TURN B



GENERAL NOTES
 1. THIS DRAWING IS NOT INTENDED FOR CONSTRUCTION.
 2. DO NOT SCALE DRAWINGS.
 3. THE DRAWINGS ARE THE PROPERTY OF JD ENGINEERING AND MUST BE RETURNED ON COMPLETION OF THE PROJECT.
 4. BASE DRAWINGS PROVIDED BY ORCHARD DESIGN STUDIO INC. ON JUNE 8, 2026.

NO.	DATE	APPROVED	REVISIONS
1.	JUN 2026	JN	FIRST SUBMISSION

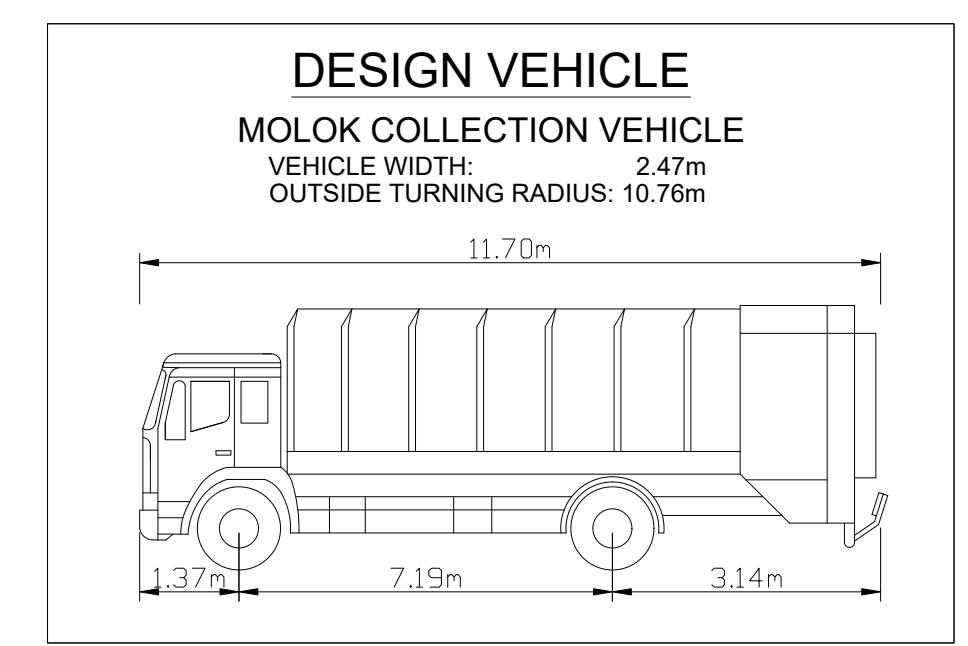
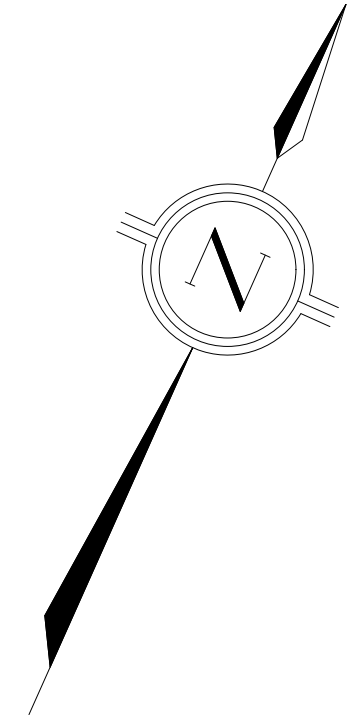
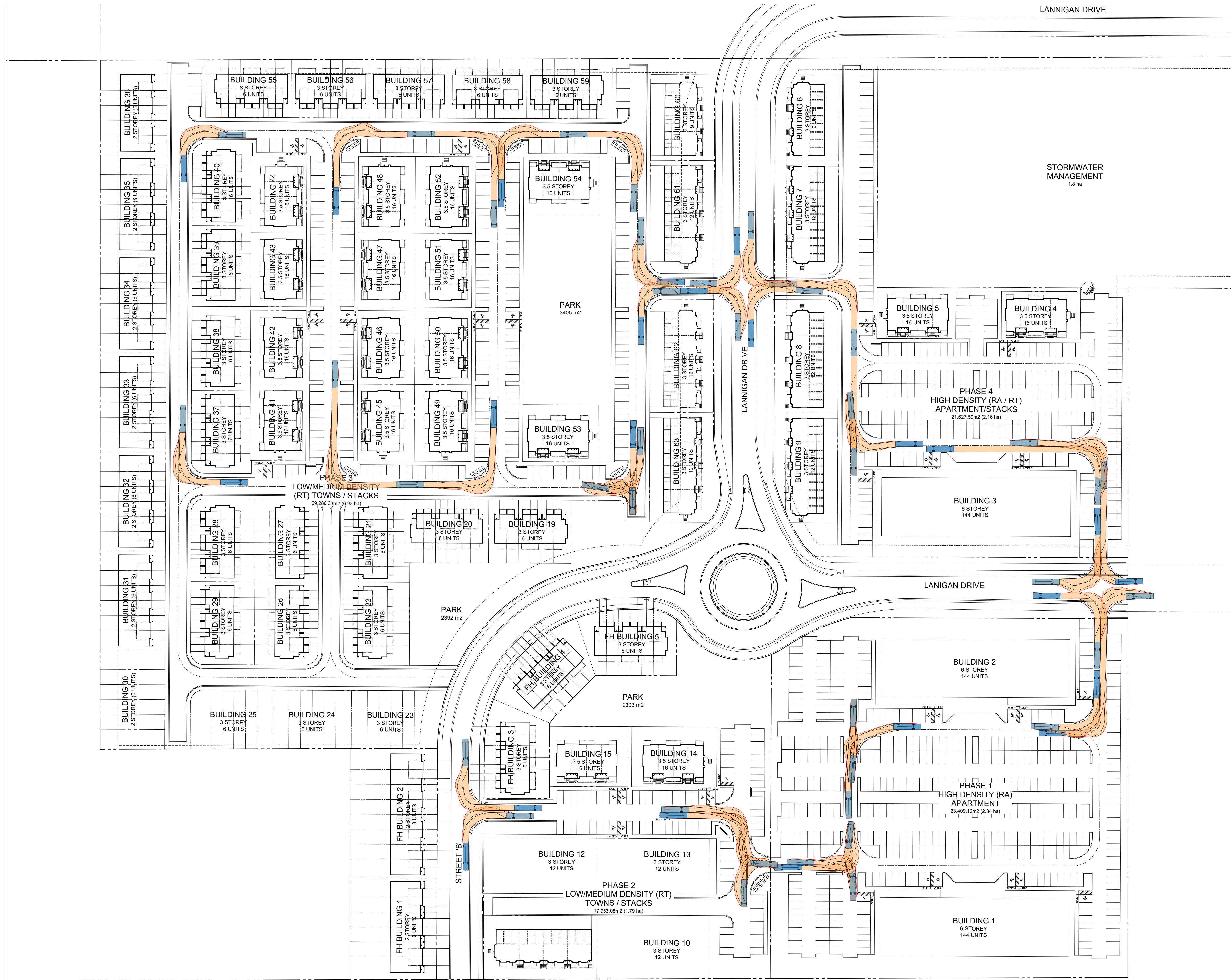
JD Northcote Engineering Inc.
 Phone: 705.725.4035
 86 Cumberland Street
 Barrie, ON L4N 2P6
www.JDEngineering.ca



PROJECT
9332 COUNTY ROAD 93
 AREA MUNICIPALITY
TOWNSHIP OF MIDLAND - COUNTY OF SIMCOE
 CLIENT
PINE VALLEY ESTATES LTD.

DRAWING TITLE
VEHICLE TURNING MOVEMENT ANALYSIS
 SUBTITLE
PRIVATE GARBAGE TRUCK

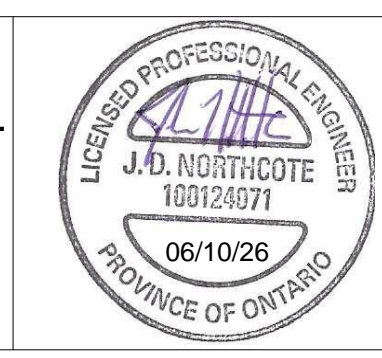
DESIGN: RH	DATE: 06/26
DRAWN: RH	DATE: 06/26
REVIEWED: JN	DATE: 06/26
SCALE HOR: 1:1250	SCALE VERT: N/A
SHEET NO: 25076- TURN C	



GENERAL NOTES
 1. THIS DRAWING IS NOT INTENDED FOR CONSTRUCTION.
 2. DO NOT SCALE DRAWINGS.
 3. THE DRAWINGS ARE THE PROPERTY OF JD ENGINEERING AND MUST BE RETURNED ON COMPLETION OF THE PROJECT.
 4. BASE DRAWINGS PROVIDED BY ORCHARD DESIGN STUDIO INC. ON JUNE 8, 2026.

NO.	DATE	APPROVED	REVISIONS
1.	JUN 2026	JN	FIRST SUBMISSION

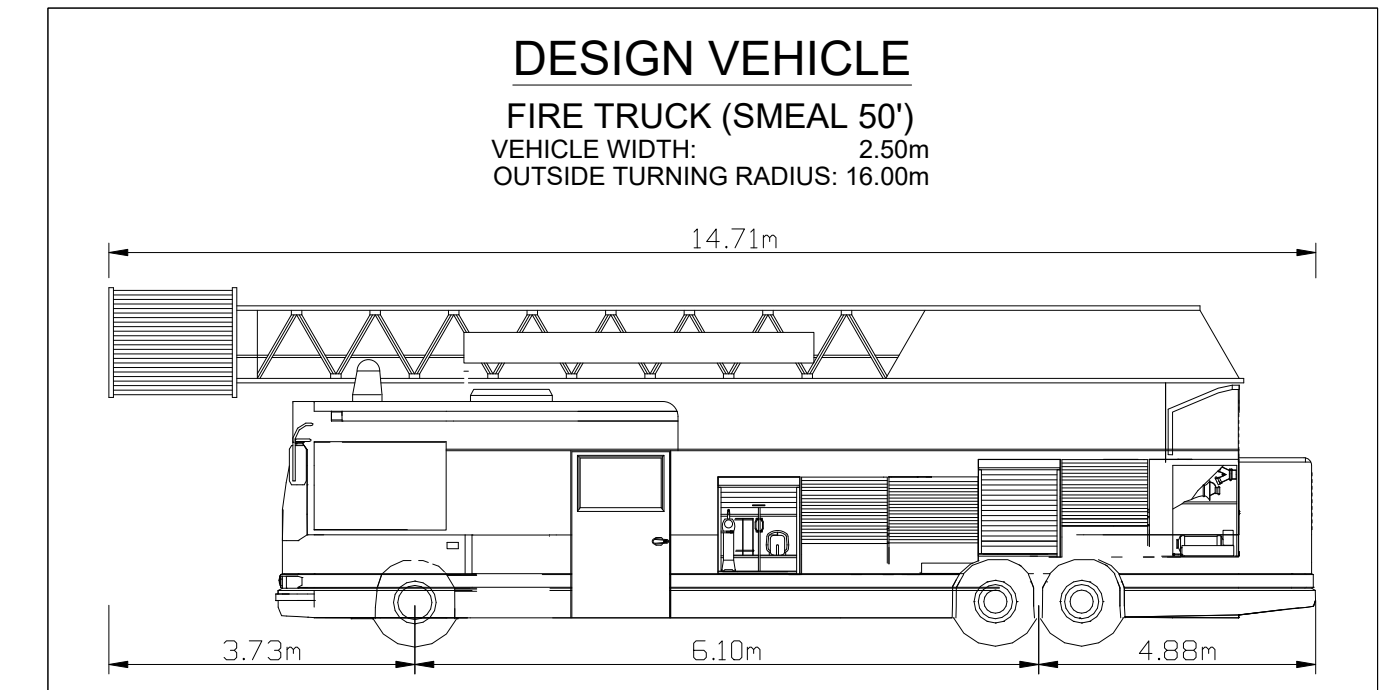
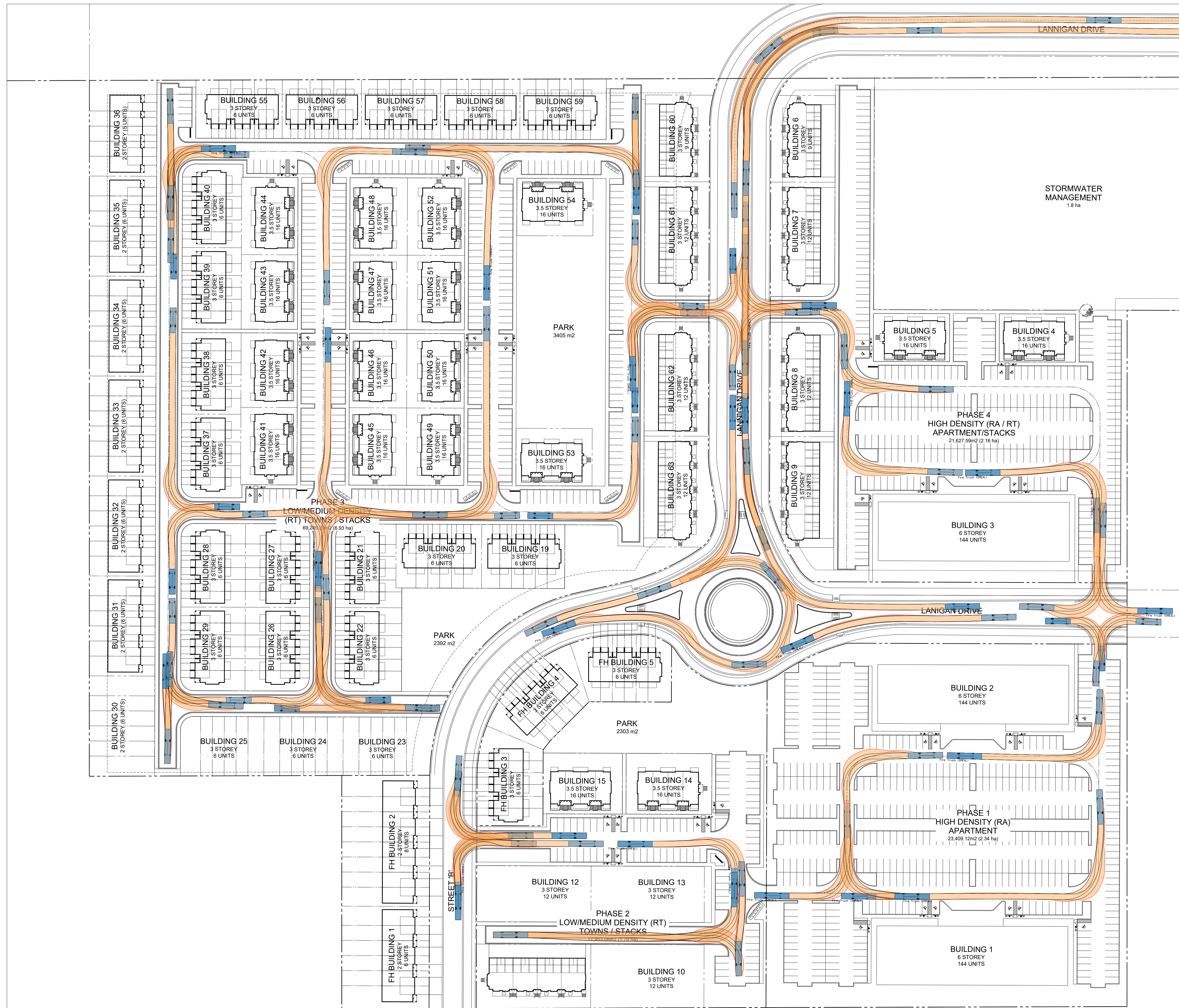
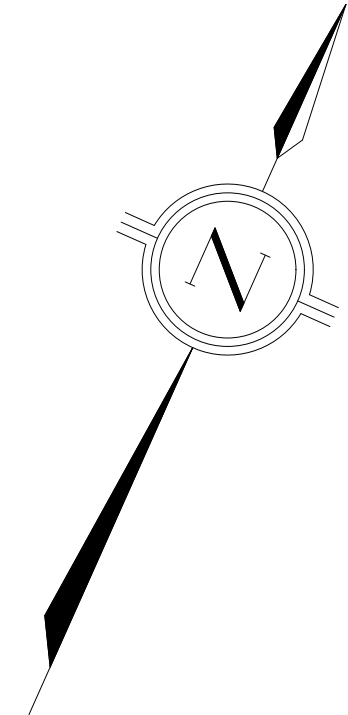
JD Northcote Engineering Inc.
 Phone: 705.725.4035
 86 Cumberland Street
 Barrie, ON L4N 2P6
www.JDEngineering.ca



PROJECT
9332 COUNTY ROAD 93
 AREA MUNICIPALITY
TOWNSHIP OF MIDLAND - COUNTY OF SIMCOE
 CLIENT
PINE VALLEY ESTATES LTD.

DRAWING TITLE
VEHICLE TURNING MOVEMENT ANALYSIS
 SUBTITLE
MOLOK COLLECTION VEHICLE

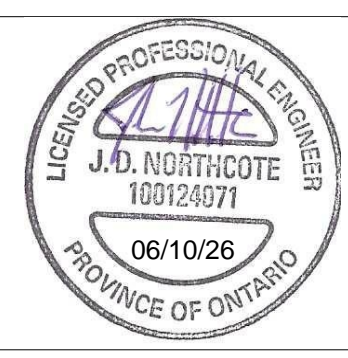
DESIGN: RH	DATE: 06/26
DRAWN: RH	DATE: 06/26
REVIEWED: JN	DATE: 06/26
SCALE HOR. 1:1250	SCALE VERT. N/A
SHEET NO. 25076- TURN E	



GENERAL NOTES
 1. THIS DRAWING IS NOT INTENDED FOR CONSTRUCTION.
 2. DO NOT SCALE DRAWINGS.
 3. THE DRAWINGS ARE THE PROPERTY OF JD ENGINEERING AND MUST BE RETURNED ON COMPLETION OF THE PROJECT.
 4. BASE DRAWINGS PROVIDED BY ORCHARD DESIGN STUDIO INC. ON JUNE 8, 2026.

NO.	DATE	APPROVED	REVISIONS
1.	JUN 2026	JN	FIRST SUBMISSION

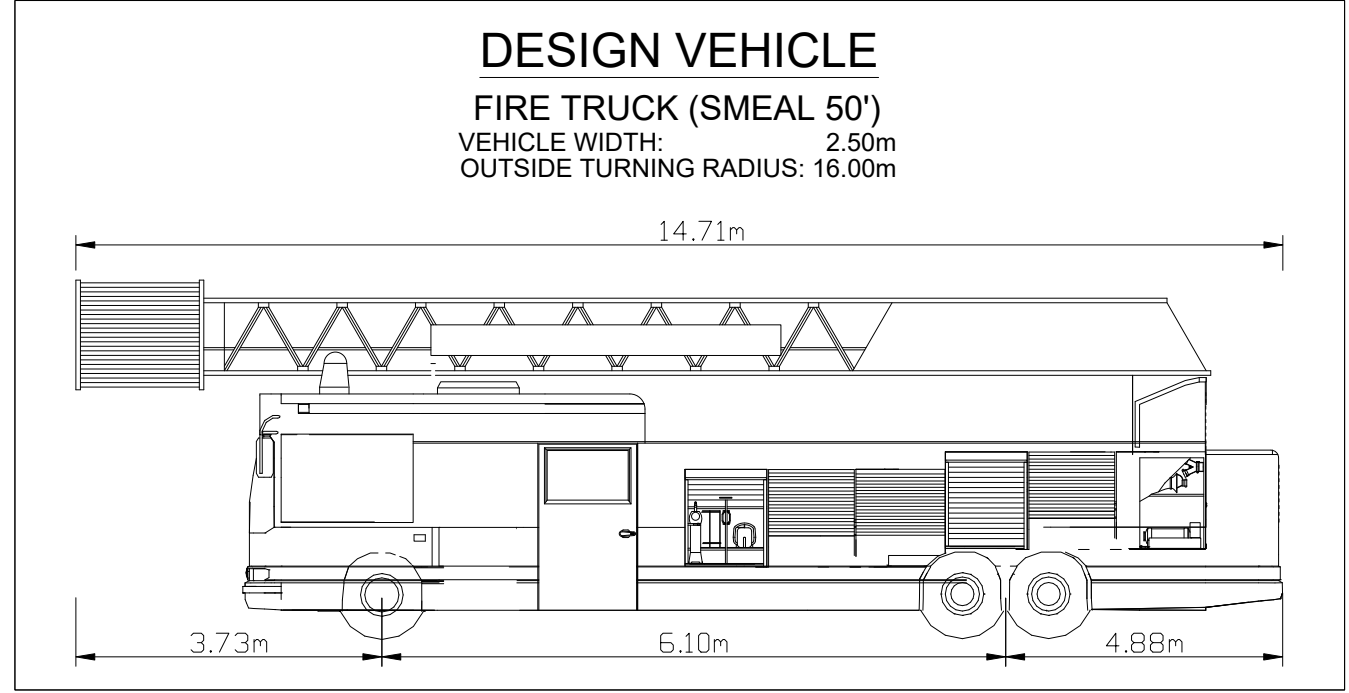
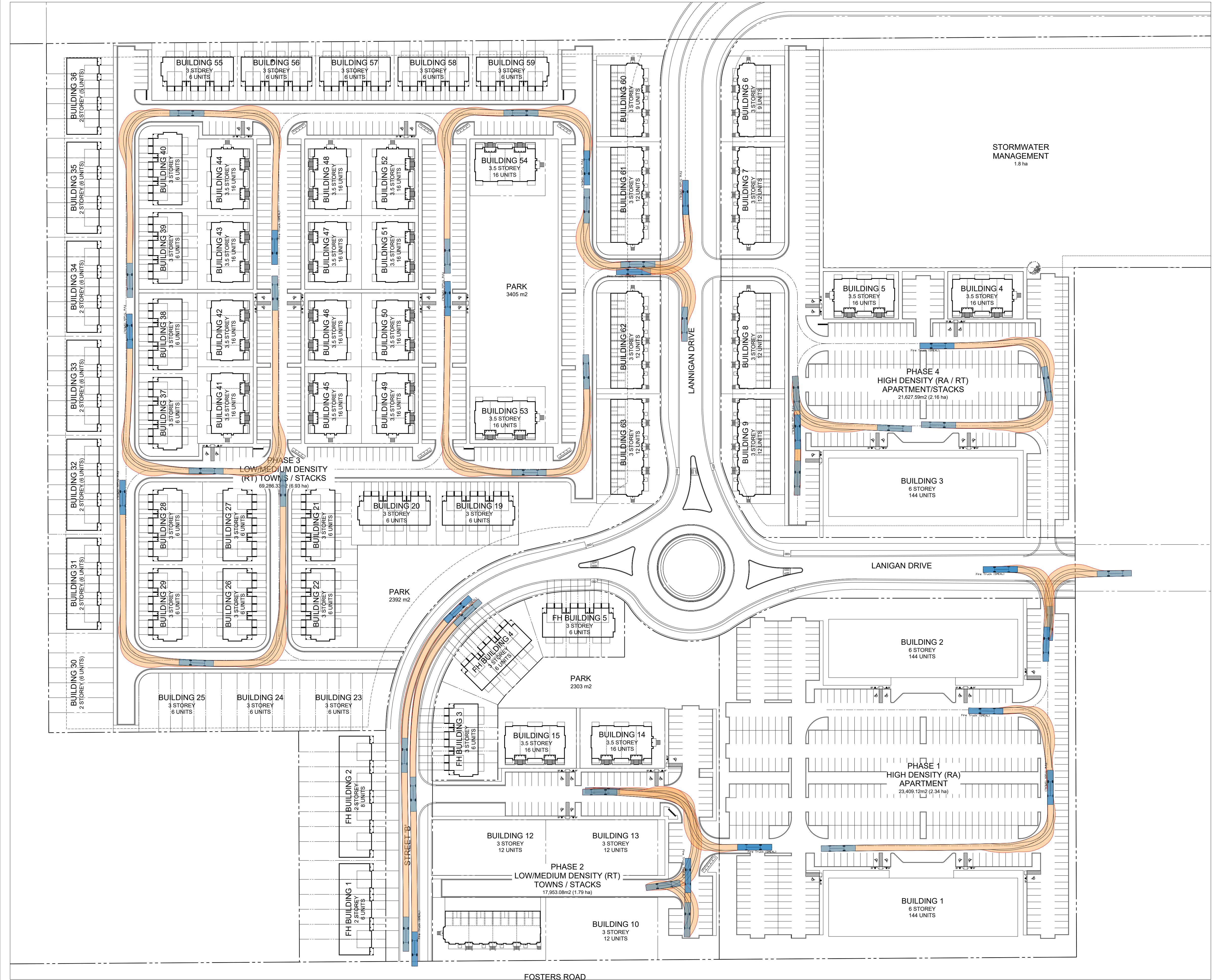
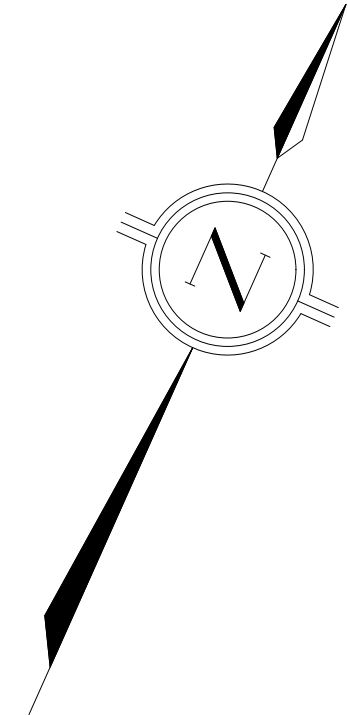
JD Northcote Engineering Inc.
 Phone: 705.725.4035
 86 Cumberland Street
 Barrie, ON L4N 2P6
www.JDEngineering.ca



PROJECT
9332 COUNTY ROAD 93
 AREA MUNICIPALITY
TOWNSHIP OF MIDLAND - COUNTY OF SIMCOE
 CLIENT
PINE VALLEY ESTATES LTD.

DRAWING TITLE
VEHICLE TURNING MOVEMENT ANALYSIS
 SUBTITLE
EMERGENCY VEHICLE

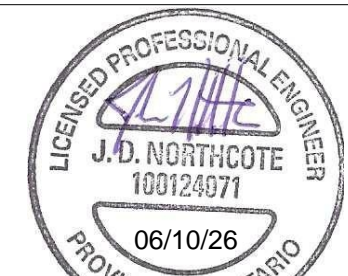
DESIGN: RH	DATE: 06/26
DRAWN: RH	DATE: 06/26
REVIEWED: JN	DATE: 06/26
SCALE HOR. 1:1250	SCALE VERT. N/A
SHEET NO. 25076 - TURN F	



GENERAL NOTES
 1. THIS DRAWING IS NOT INTENDED FOR CONSTRUCTION.
 2. DO NOT SCALE DRAWINGS.
 3. THE DRAWINGS ARE THE PROPERTY OF JD ENGINEERING AND MUST BE RETURNED ON COMPLETION OF THE PROJECT.
 4. BASE DRAWINGS PROVIDED BY ORCHARD DESIGN STUDIO INC. ON JUNE 8, 2026.

NO.	DATE	APPROVED	REVISIONS
1.	JUN 2026	JN	FIRST SUBMISSION

JD Northcote Engineering Inc.
 Phone: 705.725.4035
 86 Cumberland Street
 Barrie, ON L4N 2P6
www.JDEngineering.ca



PROJECT
9332 COUNTY ROAD 93
 AREA MUNICIPALITY
TOWNSHIP OF MIDLAND - COUNTY OF SIMCOE
 CLIENT
PINE VALLEY ESTATES LTD.

DRAWING TITLE
VEHICLE TURNING MOVEMENT ANALYSIS
 SUBTITLE
EMERGENCY VEHICLE

DESIGN: RH	DATE: 06/26
DRAWN: RH	DATE: 06/26
REVIEWED: JN	DATE: 06/26
SCALE HOR. 1:1250	SCALE VERT. N/A
SHEET NO. 25076 - TURN G	